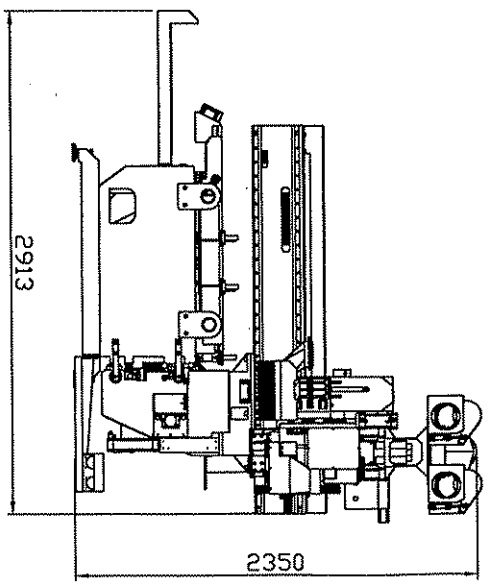


MODEL	PTP-3013	
STROKE	X AXIS	3340mm
	Y AXIS	1420mm
	Z AXIS	1500mm
WORKING AREA	WORKING LENGTH	3000mm
	WORKING WIDTH	1300mm
WORKING CLEARANCE	X AXIS	60mm
	Y AXIS	80mm/min
MAX FEED SPEED	Z AXIS	60m/min
		20m/min
POD & RAIL	6 UNITS (3 VACUUM CUPS FOR EACH BEAM)	
No:1 ROUTER HEAD A/C	MOTOR POWER	10HP (7.5KW)
	SPINDLE NOSE ROTATION SPEED	SK-30 1000-18000RPM
No:2 BORING HEAD & GROOVING SAW	SHANK OF TOOL	MAX:25mm
	TOOL MAGAZINE	8(TOOLS)
	NO. OF VERTICAL SPINDLES	19(7x13)
	NO. OF END BORING ON Y AXIS	3+3
	NO. OF END BORING ON X AXIS	1+1
	MOTOR POWER	3HP
	ROTATION SPEED	4800RPM
	ANGLE CHANGEABLE	0 & 90°
	SAW ID	30mm (25.4mm)
AIR PRESSURE		120mm
VACUUM PUMP		4500RPM
WEIGHT		6Kg/cm ²
CONTROLLER		90m ² /h
		3000KG



The diagram of machine dimension FIG.2 PTP-3013